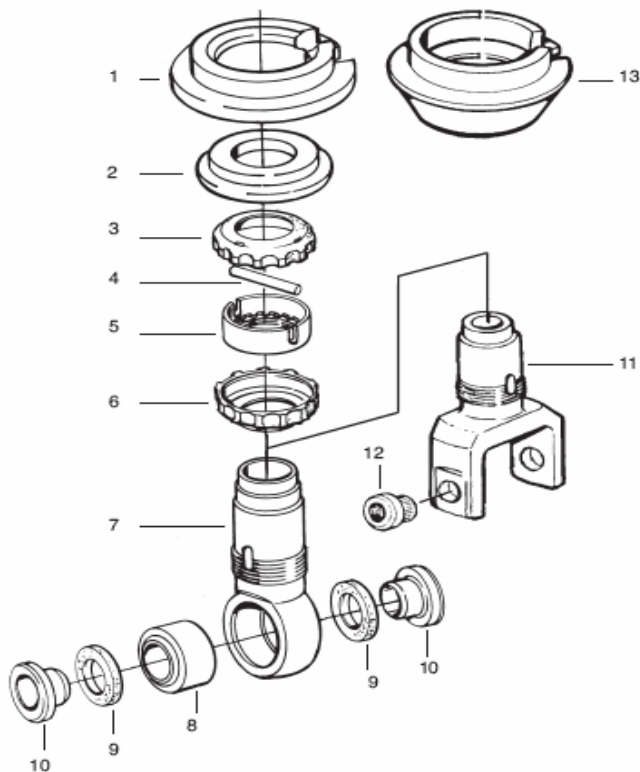




Fig. 01

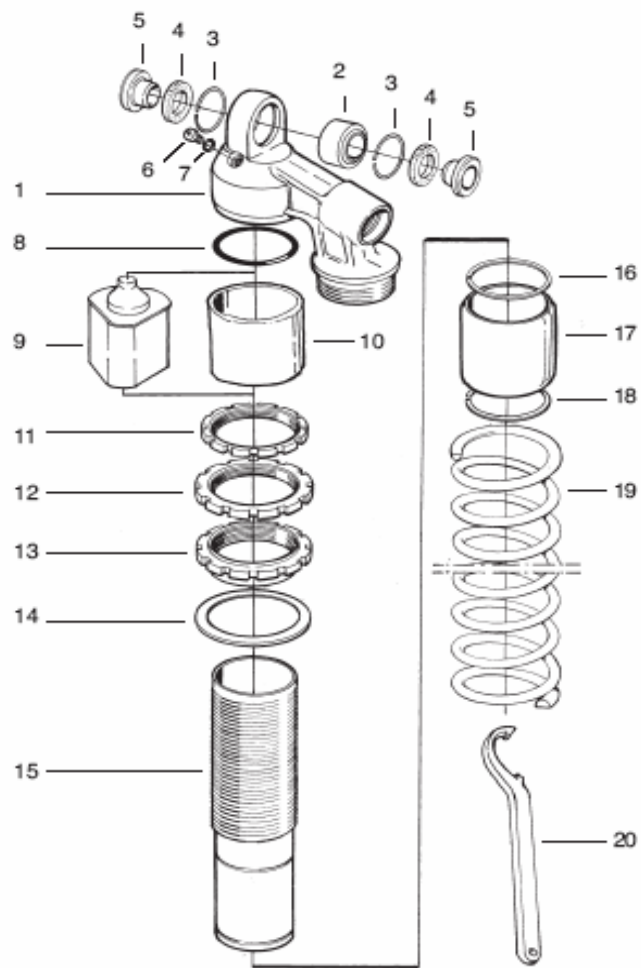


KA 691/692 46PRX Kawasaki KX 125/250, 2006

			KA 691/692
<i>Fig no.</i>	<i>Part no.</i>	<i>Description</i>	<i>Qty</i>
End eye			
01-02	01284-22	Stop washer 21/46/10	1
01-04	01030-01	Pin 4x30 CPr h8	1
01-05	01128-02	Adjustment wheel 26/33.1	1
01-06	01016-01	Seal rebound adjuster	2
01-11	01283-45	Bracket 16/85/22	1
01-13	00629-01	Spring clip for springs 57	1



Fig. 02

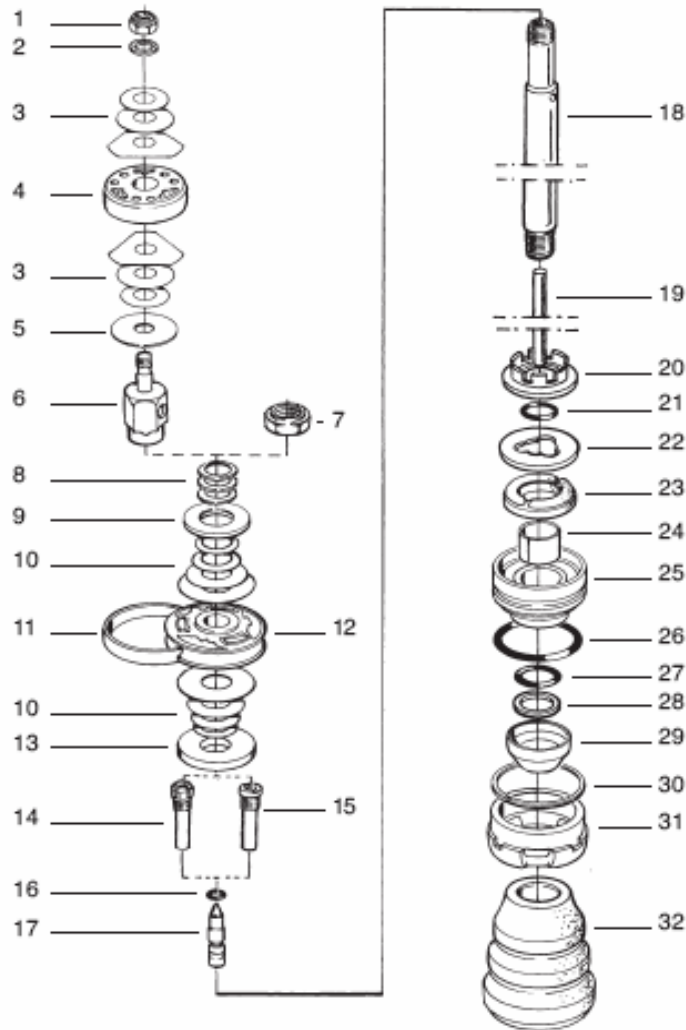


KA 691/692 46PRX Kawasaki KX 125/250, 2006

			KA 691/692
Fig no.	Part no.	Description	Qty
Body tube			
02-01	06882-27	Cylinder head 350deg pb 46/26	1
02-02	00536-02	Ball joint dia 14/26/15	1
02-03	00557-01	Circlip 28/1.0	2
02-04	00534-02	Seal ball joint 19/26.5/2.3	2
02-05	01218-13	Spacer, ball joint 10x22 al	2
02-06	00382-07	Screw MFT (DIN965) A2 M5x8	1
02-07	00438-33	O-ring 5.6x1.6 NBR 70	1
02-08	00338-37	O-ring 50x2.5 NBR70	1
02-10	01067-06	Sleeve 52.3/58/35	1
02-11	00533-21	Lock nut M52x1.5/6 46 cylinder	1
02-12	00532-21	Lock nut 52/73	1
02-13	00531-06	Spring platform 52/56.5/73 carbonf.	1
02-14	00543-01	Washer 57/73/1	1
02-15	04610-22	Cylinder tube 46/207.5 Al	1
02-16	00131-04	Circlip SW 50, stainless	2
02-17	01293-04	Sleeve 50/57/50	1
02-19		Spring, see spring guide	
02-20	00710-02	C-spanner	1



Fig. 03

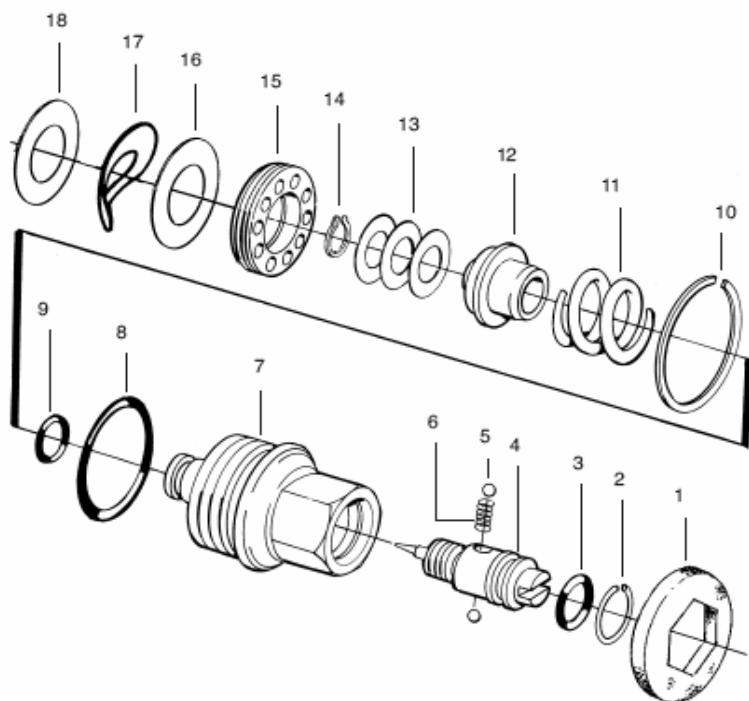


KA 691/692 46PRX Kawasaki KX 125/250, 2006

Fig no.	Part no.	Description	KA 691/692 Qty
Shaft			
03-07	00539-01	Lock nut M12x1.25/7	1
03-08	00578-01	Washer PS 12/18/1	2
03-09	00519-05	Stop washer 12/25/2 flat	1
03-11	00541-01	Piston ring 46	1
03-12	03366-01	Piston 12/46 MX sintered	1
03-13	00519-04	Stop washer 12/37/4 flat	1
03-15	05621-06	Shaft jet bleed 5/M7/37.7	1
03-16	00338-14	O-ring 3.1x1.6 NBR70	1
03-17	05655-06	Adjustment needle diam.5	1
03-18	05500-15	Shaft 16/243	1
03-19	00566-88	Adj.shaft 185.6/4.5	1
03-20	01298-01	Bleed washer 16/36/8	1
03-21	00338-38	O-ring 16.1x1.6 NBR70	1
03-22	01069-02	Spacer 16/37.8/2 Black	2
03-23	05115-01	Stop rubber 23/36/8	1
03-24	01056-13	Bushing 16/18/12 DU	1
03-25	05129-05	Seal head assy 46/16	1
03-26	00576-01	O-ring 40.2x3 NBR70	1
03-27	01027-01	X-ring 15.54x2.62 NBR 88	1
03-28	01032-01	Back-up ring 16/20.6/1.4 PTFE	1
03-29	01031-02	Scraper 16/26x8/5.5	1
03-30	00575-01	Circlip SB 46, stainless	1
03-31	01065-02	End cap 46/16	1
03-32	00563-02	Bump rubber 16/47/36 PUR 650	1



Fig. 04

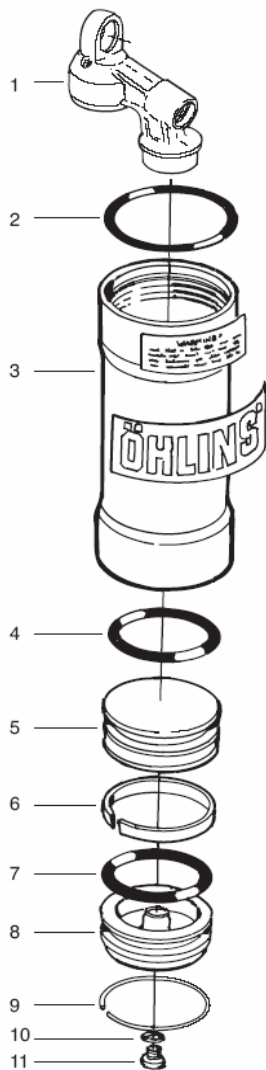


KA 691/692 46PRX Kawasaki KX 125/250, 2006

Fig no.	Part no.	Description	KA 691/692 Qty
Comp valve			
04-01	02408-01	Dust seal compression adj	1
04-02	01473-02	Circlip SRH 10 stainless	1
04-03	00338-53	O-ring 7.1x1.6 NBR70	1
04-04	01242-03	Adjustment needle 1.5 adj.slot	1
04-05	00884-04	Ball 2-G20	2
04-06	01248-01	Spring 2.5/7/11	1
04-07	04101-01	End piece 2-w comp.adjuster PB 1.5	1
04-08	00438-52	O-ring 6x1 NBR 70	1
04-09	00438-02	O-ring 23.52x1.78 NBR70	1
04-10	00557-01	Circlip 28/1.0	1
04-11	04107-04	Spring, k=40 N/mm, L=15.5mm	1
04-12	04103-02	Poppet valve, dia 14	1
04-13	01415-12	Shims 6/12/0.15	3
04-14	01499-04	Circlip SRA 6	1
04-15	04104-01	Valve seat, dia 10	1
04-16	00525-23	Shims 12/23/0.25	1
04-17	04105-01	Wave washer 12/23/0,15	1
04-18	00530-23	Shims 12/23/0.30	5
	00520-23	Shims 12/23/0.20	3



Fig. 05



KA 691/692 46PRX Kawasaki KX 125/250, 2006

			KA 691/692
Fig no.	Part no.	Description	Qty
Reservoir			
05-00	00191-10	Sticker "ÖHLINS" black/transp31x75	1
05-00	00196-01	Sticker "Warning"black/transp 17x53	1
05-02	00438-26	O-ring 44.04x3.53 NBR70	1
05-03	00403-06	Reservoir 49/115	1
05-04	00438-27	O-ring 40x5 FKM70	1
05-05	00405-01	Reservoir piston 49	1
05-06	00340-03	Teflon band Dia 49/5 55-60D Shore D	1
05-07	00438-27	O-ring 40x5 FKM70	1
05-08	00161-04	Reservoir top assy 49	1
05-09	00329-04	Circlip 53/1.5	1
05-10	00338-59	O-ring 4.5x1.5 NBR70	1
05-11	01050-01	Screw DIN 7985 Torx A2 M4x6	1